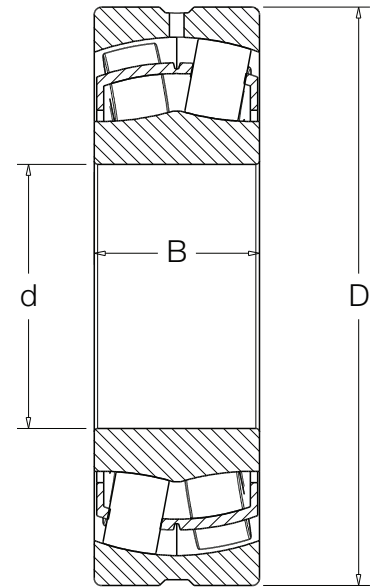
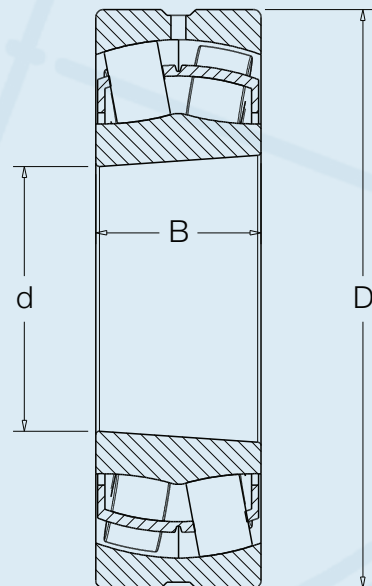


21300 series

| Bearing Number | Dimensions (mm) | | | Dynamic Load Rating (lbf) | Static Load Rating (lbf) | Weight (lbs) |
|----------------|-----------------|----|----|---------------------------|--------------------------|--------------|
| | d | D | B | | | |
| 21304 | 20 | 52 | 15 | 8206 | 3372 | 0.4 |
| 21305 | 25 | 62 | 17 | 11038 | 3822 | 0.6 |
| 21306 | 30 | 72 | 19 | 14770 | 4271 | 0.9 |
| 21307 | 35 | 80 | 21 | 17805 | 4721 | 1.2 |
| 21308 | 40 | 90 | 23 | 24055 | 5171 | 1.7 |



STRAIGHT BORE



TAPERED BORE

- C - Symmetrical Roller, Stamped Steel Retainer
- CA - Symmetrical Roller, One-Piece Bronze Retainer
- MB - Symmetrical Roller, Two-Piece Bronze Retainer
- W33 - A lubricating groove and three lubricating holes on the outer race
- K - 1:12 Tapered Bore
- C3 - Larger than nominal clearance